



BT8390-VESA800F



VESA 800 INTERFACE ARMS

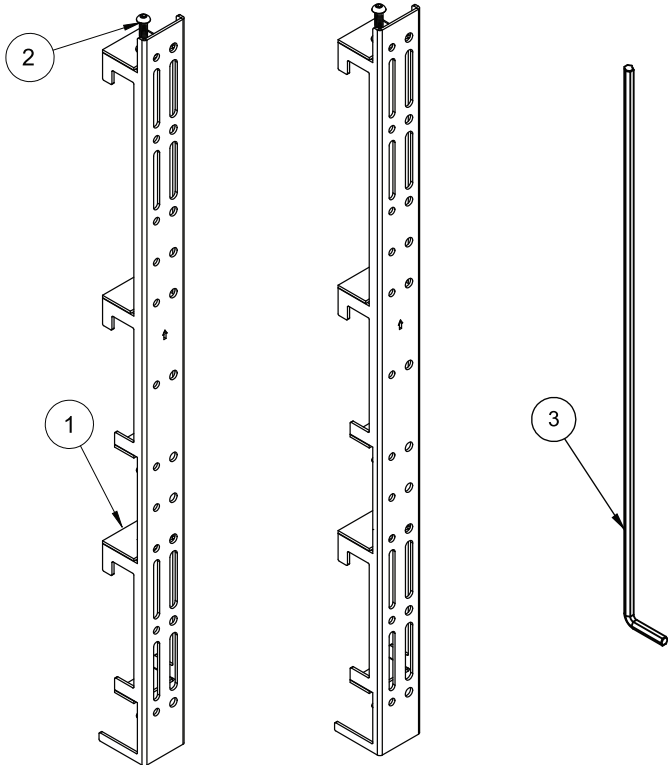
FOR USE WITH 1x OR 2x BT8390 MOUNTING RAILS

PARTS LIST

This pack contains 1 pair of Interface Arms

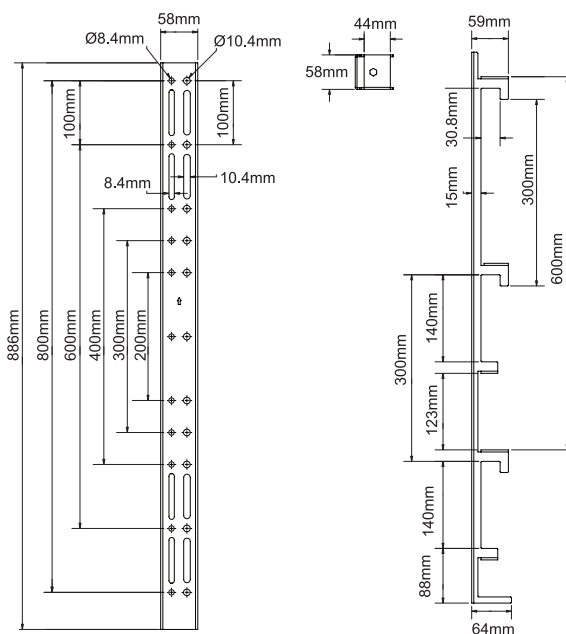
PLEASE KEEP THIS FOR FUTURE REFERENCE

PARTS LIST

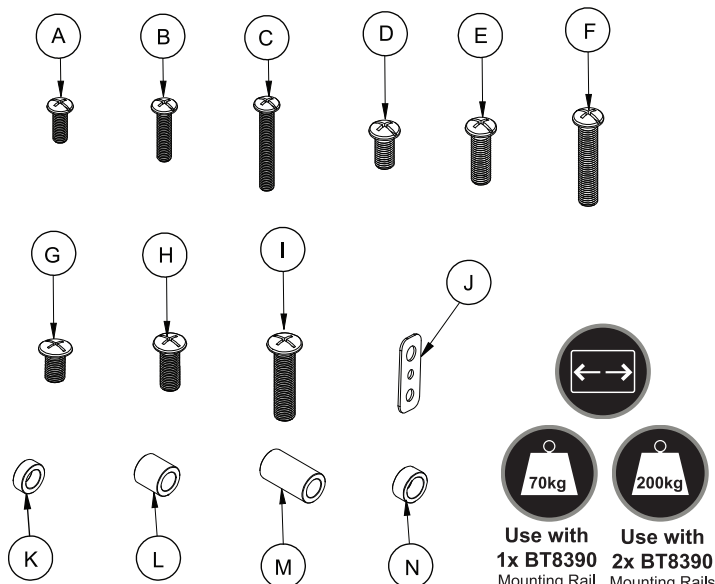


REF	PART NAME	QTY
1	INTERFACE ARM	2
2	M8 x 55mm HEX SCREW	8
3	5AF HEX KEY	1
REF	INTERFACE KIT	QTY
A	M6 x 16mm SCREW	4
B	M6 x 25mm SCREW	4
C	M6 x 40mm SCREW	4
D	M8 x 16mm SCREW	4
E	M8 x 25mm SCREW	4
F	M8 x 40mm SCREW	4
G	M10 x 16mm SCREW	4
H	M10 x 25mm SCREW	4
I	M10 x 40mm SCREW	4
J	MULTIWASHER	4
K	5mm SPACER	4
L	13mm SPACER	4
M	24mm SPACER	4
N	7mm SPACER	4

PRODUCT DIMENSIONS



THESE DIMENSIONS ARE INTENDED AS A GUIDE ONLY AND B-TECH ACCEPTS NO LIABILITY FOR THE ACCURACY OF THE INFORMATION



Use with 1x BT8390 Mounting Rail
Use with 2x BT8390 Mounting Rails

Designed to work in conjunction with B-Tech's System X range

B-TECH AUDIO VIDEO MOUNTS

HEAD OFFICE

B-Tech International Limited

Bennett House, Long March, Daventry, Northants., NN11 4NR, UK

Email: info@btechavmounts.com

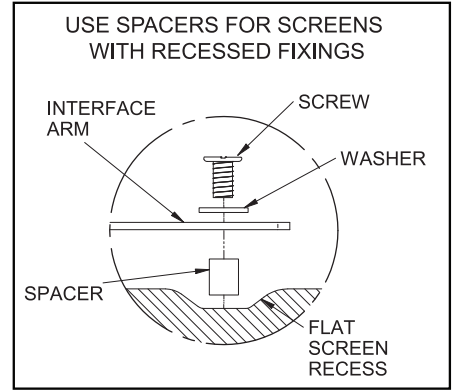
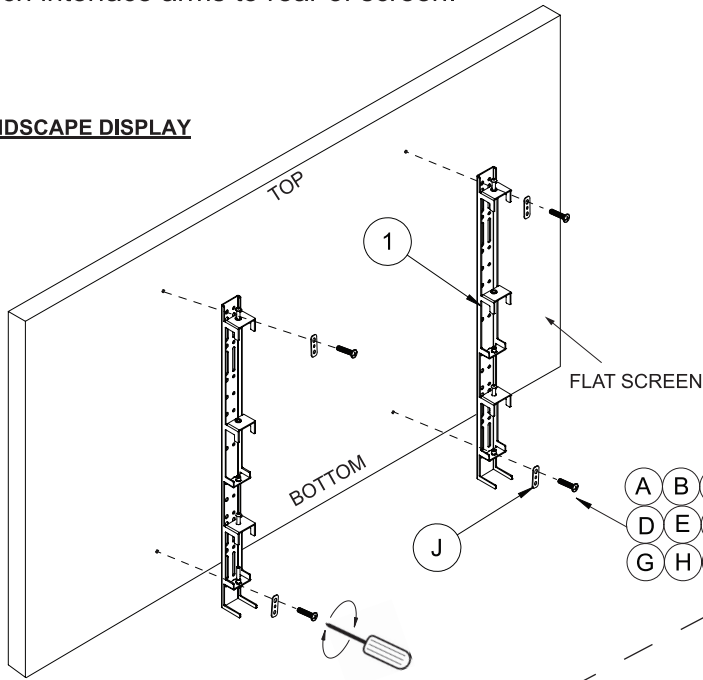
©2016 B-Tech International Limited. All rights reserved. B-Tech Audio Video Mounts is a division of B-Tech International Limited. B-Tech, Better By Design and System X are registered trademarks of B-Tech International Limited. All other brands and product names are trademarks of their respective owners. Photographs are for illustrative purposes only. E&OE. B-Tech International Ltd, it's distributors and dealers are not responsible for damage or injury caused by improper installation, improper use, modifications, installations over the specified weight capacity and/or failure to observe these safety instructions. In such cases, any warranty will expire. It is recommended that this product should only be installed by a qualified professional / installer. B-Tech does not claim any liability for any difficulties that may arise from the interpretation of information contained in these instructions. Failure to mount this product correctly may lead to serious injury and/or death. Please check carefully to make sure there are no missing or defective parts - defective parts must never be used. In the event of missing and/or defective parts, or technical questions, please contact an authorised dealer.

www.btechavmounts.com

AMA-BT8390-VESA800F-V1-PROBX-0416-45 Made in Vietnam

i. Attach interface arms to rear of screen.

LANDSCAPE DISPLAY



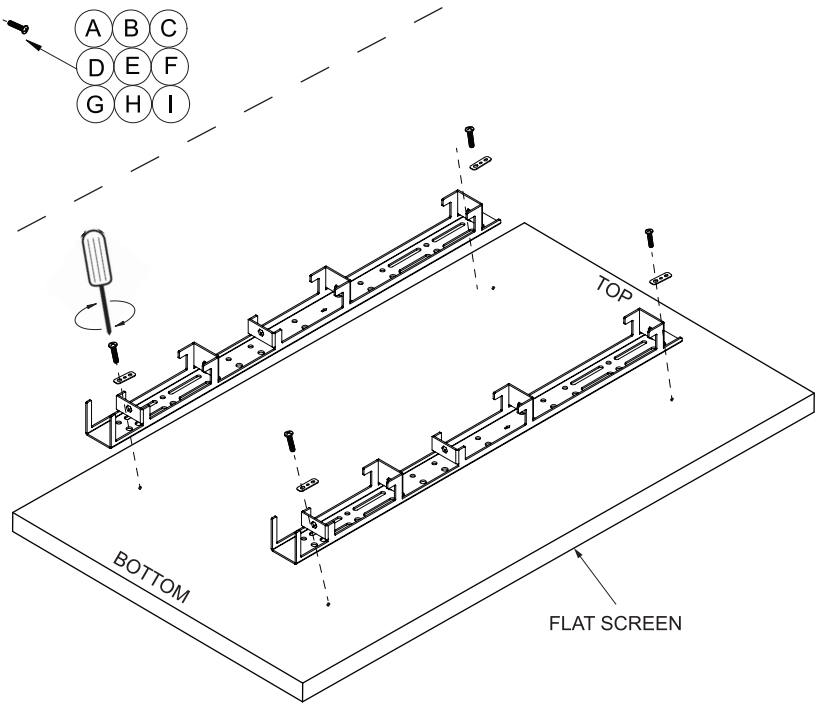
Suitable for screens over 72" when mounting in a landscape display.
Min. height of screen when mounting in landscape: 890mm

72"+
183cm

PORTRAIT DISPLAY

Suitable for screens over 42" when mounting in a portrait display.
Max. height of screen when mounting in portrait: 1780mm

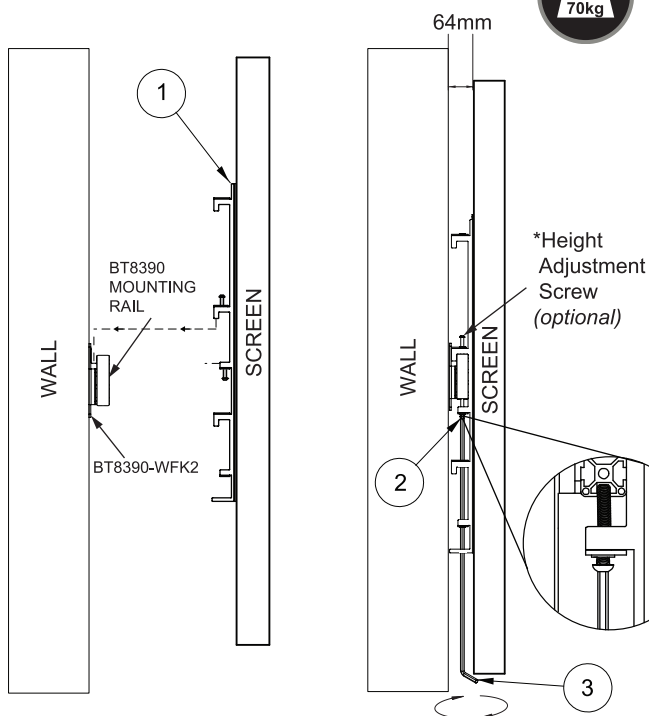
42"+
107cm



ii. Hook the screen onto BT8390 mounting rail(s) and tighten the bottom screws on both interface arms to secure screen to rail. *If required, adjust the top screws for screen height alignment.*

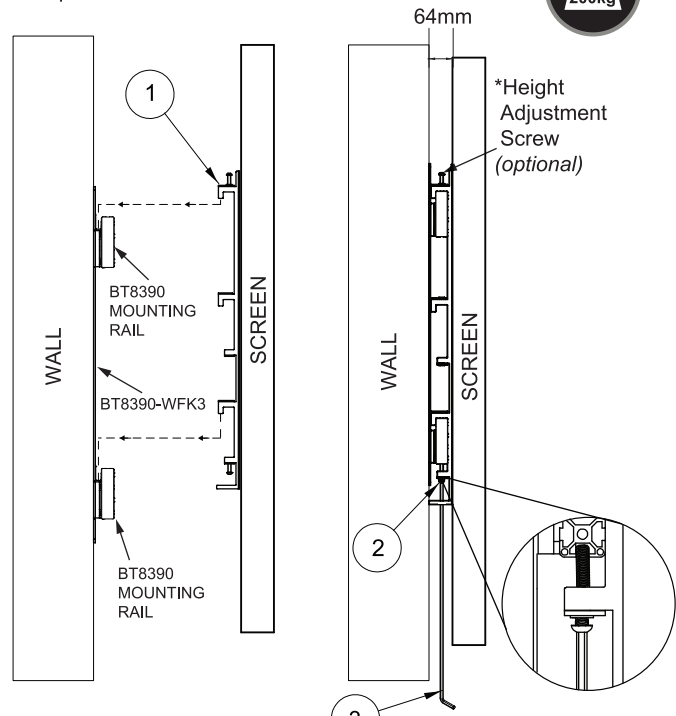
SINGLE RAIL MOUNTING

Use middle hook on interface arms



TWIN RAIL MOUNTING

Use top and bottom hooks on interface arms



*Height adjustment function may be affected if weight of screen is over 50kg